

DETROIT RADIANT

RE-VERBER-RAY

RADIANT GAS HEATERS®

PRODUCTS COMPANY

LUMINOUS/HIGH INTENSITY

SERIES

○ DR/RV

● GPH

GPH SERIES

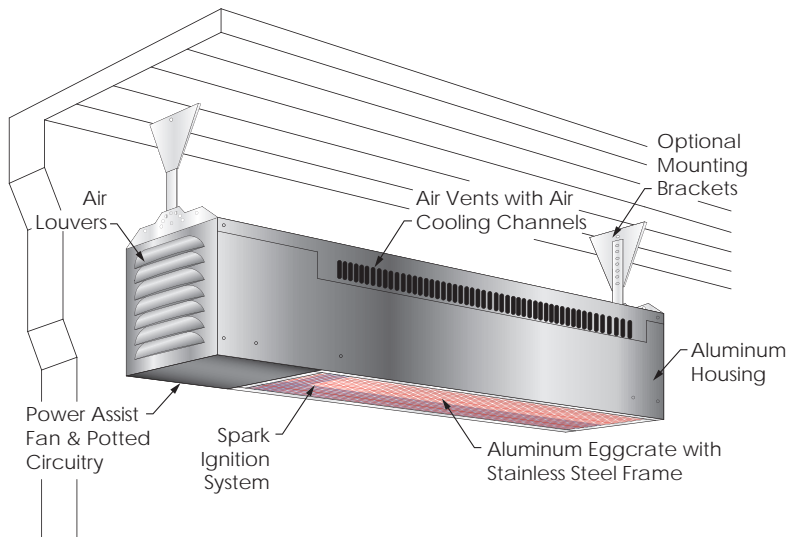
GAS-FIRED, HIGH INTENSITY INFRA-RED PATIO HEATERS

The GPH Series patio heater extends the benefits of infra-red heating to many commercial and residential applications. This attractive heater easily mounts out of the way with no nuisance propane tanks to refill. The GPH Series is ideal for various indoor and outdoor applications such as restaurant patios, entryways, mezzanines and much more. Specifically designed for comfort, reliability and ease of installation, the GPH Series patio heater is sure to deliver the perfect amount of warmth to your space.



PRODUCT FEATURES

- CE Certified for Indoor & Outdoor Use.
- Decorative Aluminum Grill with Stainless Steel Frame.
- Wind and Rain Protected Design.
- 9 and 10 kW Inputs. G20, G25 or G31 Gas.
- Power Assist Fan and Reliable Direct Spark Ignition.
- Power Cord Connection with Potted Circuitry.



TYPICAL APPLICATIONS

- Restaurant Patios
- Entrance Ways
- Porches
- Mezzanines
- Vestibules
- Spot Heating Areas

DETROIT RADIANT PRODUCTS CO.

21400 Hoover Rd.
Warren, MI 48089-3162

Phone: (586) 756-0950
Toll Free: 1-800-222-1100

Fax: (586) 756-2626

Email: sales@detroitradiant.com
Website: www.reverberray.com



GPH SERIES

SPECIFICATIONS



PRODUCT SPECIFICATIONS:

kW Output Range:	9 or 10 kW
Gas Type:	G20, G25 or G31
Certification:	CE Certified Indoor/Outdoor
Gas Connections:	3/8" BSP
Burner Pressure (mbar):	12.5 (G20), 15.5 (G25), 25.0 (G31)
Minimum Inlet (mbar):	15.0 (G20), 20.0 (G25), 30.0 (G31)
Maximum Inlet (mbar):	50.0 (G20), 50.0 (G25), 50.0 (G31)
Volts:	230V, 50Hz primary required
Control Voltage:	230V standard

OPTIONAL EQUIPMENT:

Mounting Brackets:	PH-BKT
Clearance Safety Sign:	PLQ
Chain Mounting Set:	PH-CS

⚠ WARNING

To Prevent Serious Injury or Death:

INDOOR/OUTDOOR COMMERCIAL USE AND OUTDOOR RESIDENTIAL USE ONLY!

This heater is **NOT** for home or recreational use. **DO NOT USE** in the home, mobile home, RV's, campers, tents, etc. Use only in a well ventilated area. Consult the Installation, Operation and Maintenance manual for further information.

AVAILABLE GPH MODELS

MODEL #	GAS TYPES*	kW Output	DIMENSIONS (mm)			WEIGHT	MOUNTING HEIGHTS**	CLEARANCE TO COMBUSTIBLES (mm)***					
			A	B	C			MTG. ANGLE	SIDES(S)	BELOW	TOP	BEHIND	FRONT
GPH 9	G20, 25, 31	9.0	216	229	1150	25.4 kg	203 to 216mm	0°	356	1170	330	N/A	N/A
								30°	N/A	1170	430	203	1170
GPH 10	G20, 25, 31	10.0	216	229	1150	25.4 kg	203 to 242mm	0°	356	1170	330	N/A	N/A
								30°	N/A	1170	430	203	1170

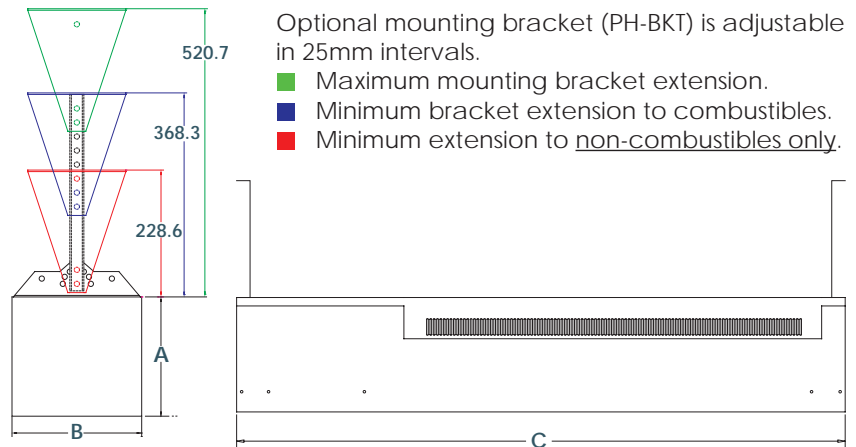
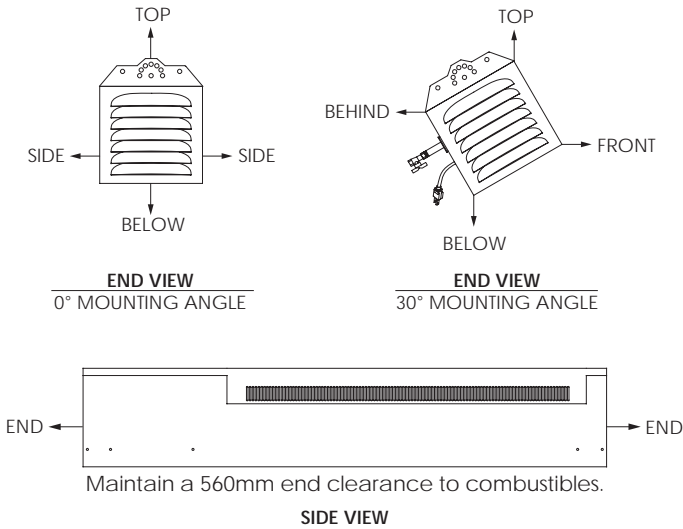
* Specify G20, G25 or G31 gas.

** Mounting heights are recommended and provided as a guideline only. Actual conditions may dictate variations from the above data.

*** **Always** maintain the published clearances to combustibles. Maintain a **560mm end clearance** to combustibles. **NOTE:** If the heater is mounted beneath a non-combustible surface, an 203mm minimum top clearance must be maintained from the top of the heater to prevent overheating the controls.

^ Shipping weight is 26.8kg (29kg with PH-BKT). Box dimensions 1295 x 406 x 406mm. Truckline transportation is recommended.

GPH SERIES & OPTIONAL MOUNTING BRACKET DIMENSIONS



DISTRIBUTED BY:



WARNING! : To avoid serious injury, property damage or death, clearances to combustibles **MUST** be maintained.